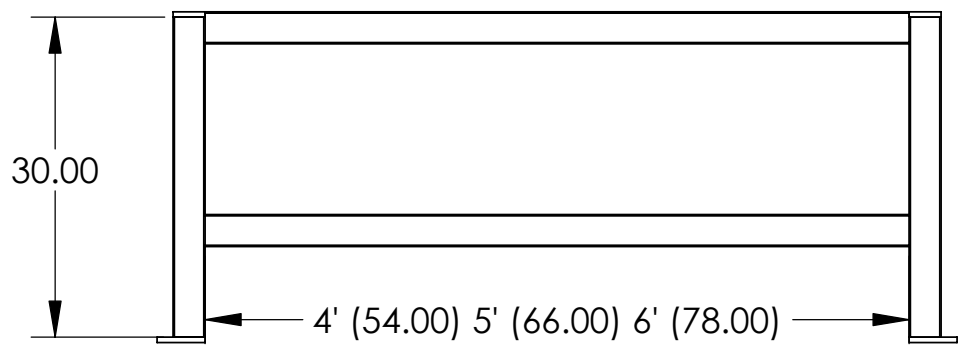
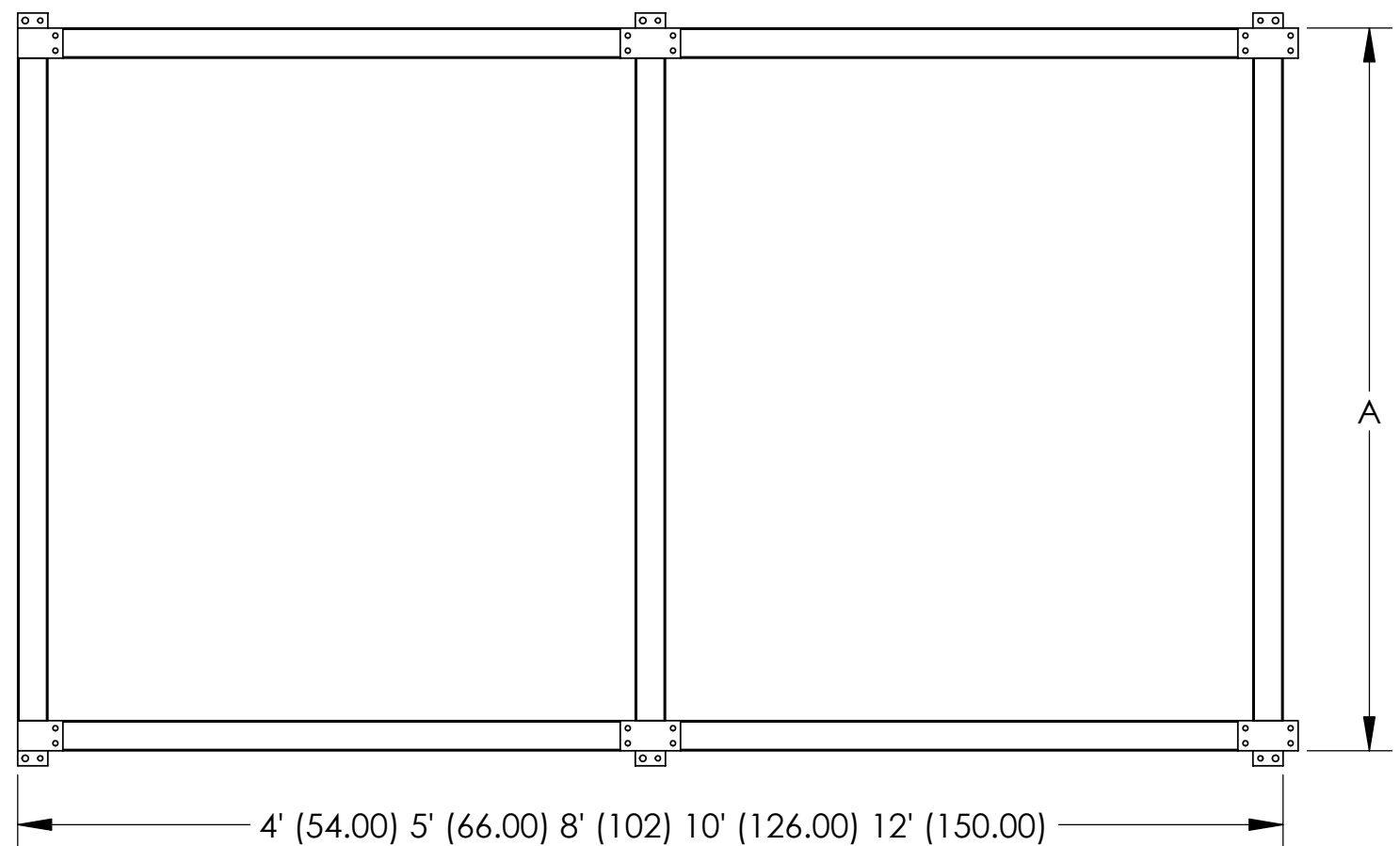
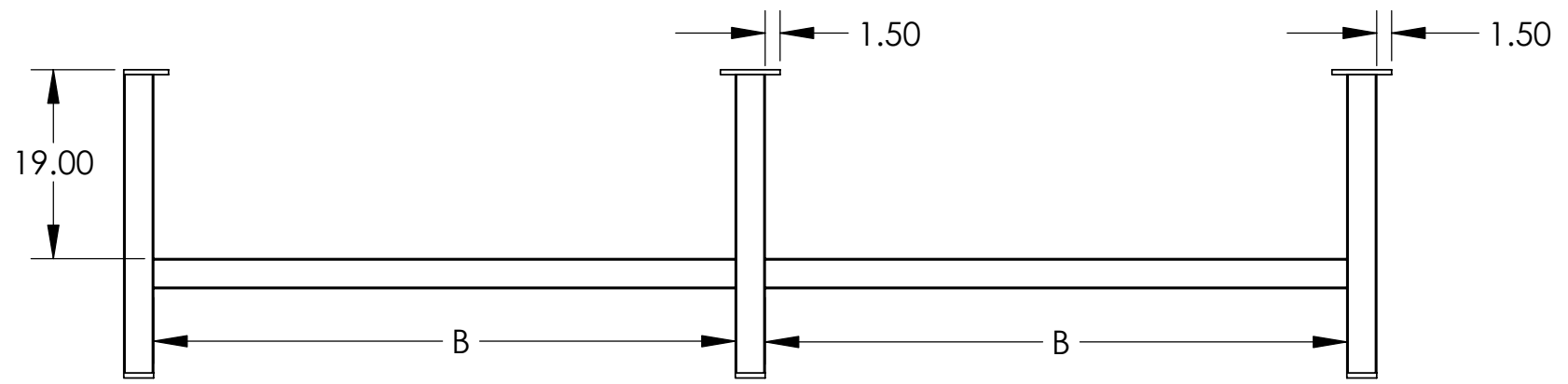


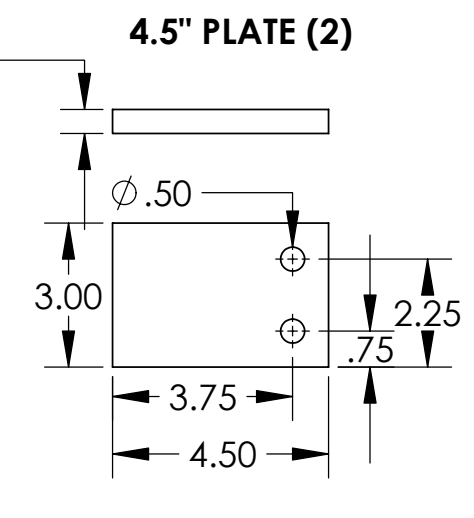
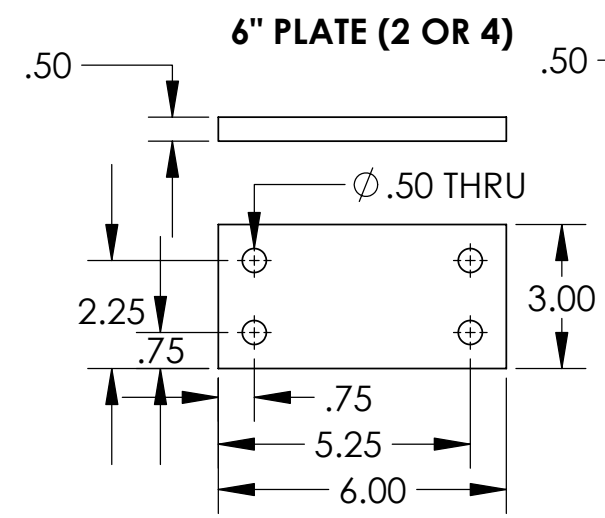
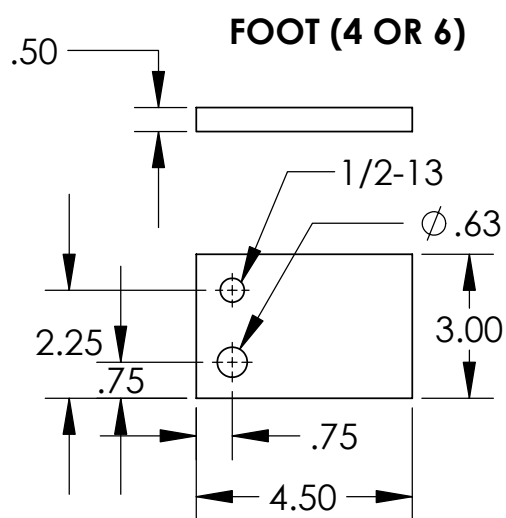
TUBES AND 3RD LEG ASSEMBLY NOT USED ON 4X4 AND 5X5



NOTE: MAGNUM OPTION ADD 3"



A= 4' (60.00) 5' (72.00) 6' (84.00) (NOTE: MAGNUM OPTION ADD 3")  
 B= 4' (48.00) 5' (60.00) 8' (46.50) 10' (58.50) 12' (70.50)



TOLERANCES +/- UNLESS OTHERWISE SPECIFIED	MACHINING	WELDING	FABRICATING	FINISH REQUIREMENTS <b>PAINT</b>	USED ON REFERENCE MACHINE/DRAWING:
	DECIMAL	.03, .005	.13		
	ANGLE				
THE INFORMATION CONTAINED IN THIS DRAWING IS THE SOLE PROPERTY OF PRECISION PLASMA LLC. ANY REPRODUCTION IN PART OR WHOLE WITHOUT WRITTEN PERMISSION IS PROHIBITED.					
	SCALE: 1:18	SIZE: <b>B</b>	DATE	NAME	MATERIAL: 3X3 X 14 GA WALL TUBING
	UNITS: INCHES	DRAWN	2/21/15	RWC	
	SOLIDS (Y/N): Y	CHECKED			
PRECISION PLASMA LLC.	TITLE: SD-35 LOWER FRAME 3 INCH TUBING 14 GA WALL TUBING			DRAWING NUMBER: <b>SD-35 LFRAME</b>	REV. SHEET 1 OF 1