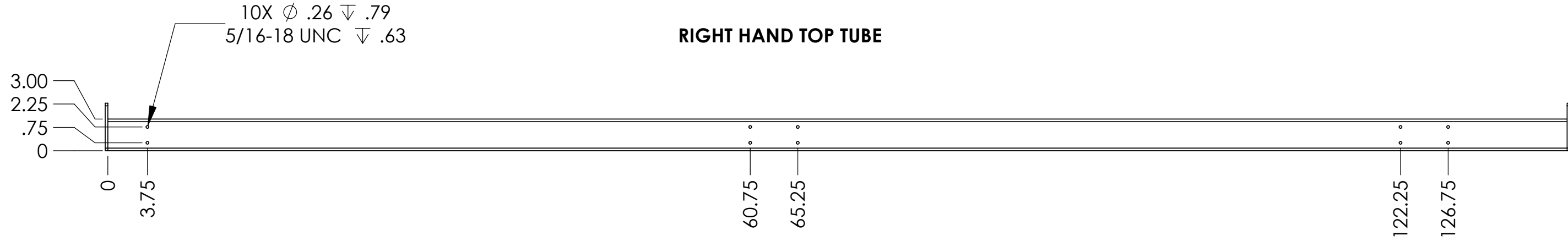
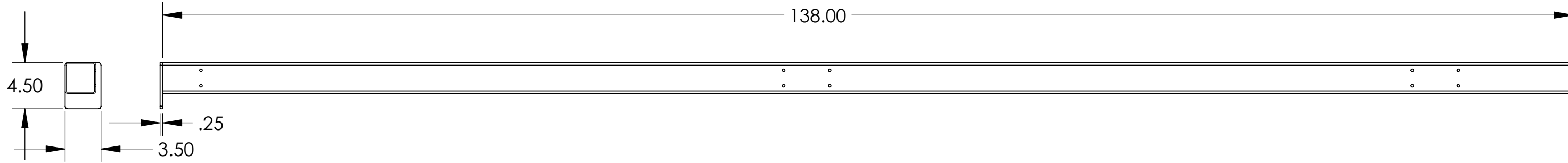


RIGHT HAND TOP TUBE



LEFT HAND TOP TUBE



MATERIAL: 3 X 3X 1/8" WALL TUBING

TOLERANCES +/- UNLESS OTHERWISE SPECIFIED		MACHINING	WELDING	FABRICATING	FINISH REQUIREMENTS	USED ON REFERENCE MACHINE/DRAWING:
	DECIMAL	.03, .005	.13	.06		
	ANGLE					
THE INFORMATION CONTAINED IN THIS DRAWING IS THE SOLE PROPERTY OF PRECISION PLASMA LLC. ANY REPRODUCTION IN PART OR WHOLE WITHOUT WRITTEN PERMISSION IS PROHIBITED.						
	SCALE:	1:10	SIZE: B	DATE	NAME	MATERIAL:
	UNITS:	INCHES	DRAWN	2/22/15	RWC	
	SOLIDS (Y/N):	Y	CHECKED			
PRECISION PLASMA LLC.	TITLE:	SD-35 TOP TUBES 10' TRAVEL 3 X 3X 1/8 WALL TUBING			DRAWING NUMBER:	REV.

SD-35 RAIL 3500 10 FT TRAVEL